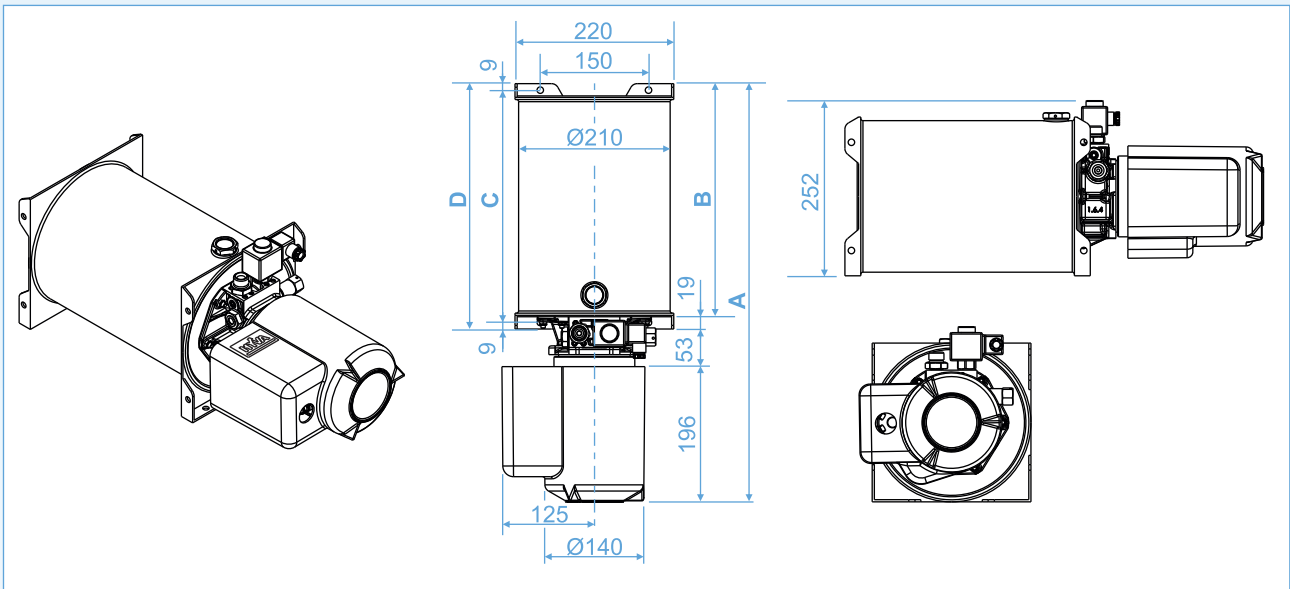


# Hyva Power Packs

## Truck Mounted

### Power Packs 12V & 24V

Part no.	Description	Voltage (V)	Nominal power (Watt)	Pump size (cc/rev.)	Tank steel volume (L)	Max pressure (Bar)	Current at max press. (Amps)	Flow at 100 bar (L/min.)
145 53 000	Power pack 2000W - 12V - 10L	12	2000	3.1	10	140	290	6,5
145 53 001	Power pack 2000W - 12V - 15L	12	2000	3.1	15	140	290	6,5
145 53 500	Power pack 3000W - 24V - 10L	24	3000	3.1	10	170	165	7,2
145 53 501	Power pack 3000W - 24V - 15L	24	3000	3.1	15	170	165	7,2



Part no.	Measurements			
	A (mm)	B (mm)	C (mm)	D (mm)
145 53 000	570	302	322	340
145 53 001	720	452	472	490
145 53 500	570	302	322	340
145 53 501	720	452	472	490

# Hyva Power Packs

## Accessoires

### Knock off electrical

Part no.	Description
148 86 501	Knock off electrical re-enforced
020 70 111	Knock off electrical



### Switch panel electric TIP/LOWER

Part no.	Description
020 70 121	Electric switch panel tip/lower



### Remote control

Part no.	Description
145 52 657	Remote control 2m. cable - 2 buttons

