

HYVA PTO'S



PNEUMATICALLY OPERATED POWER TAKE-OFF

Hyva

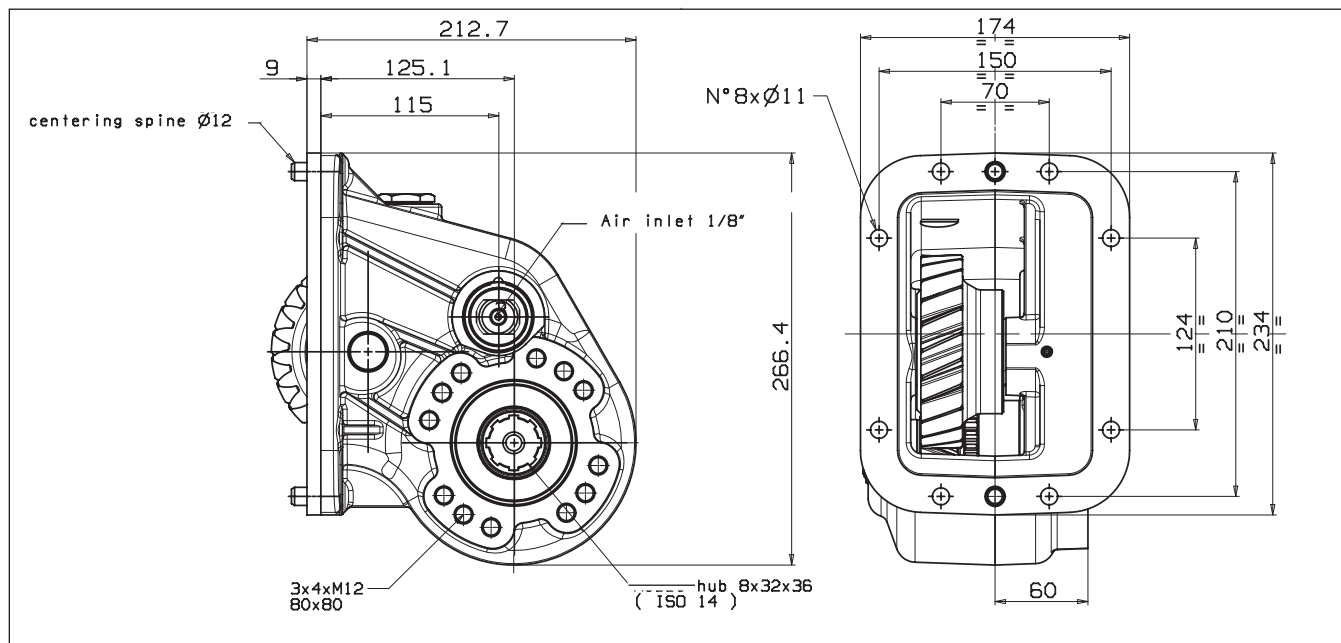
Partno. PTO only:

021211072

Type Gearbox:

SCANIA

Page 1 / 1



Specifications

Type Gearbox	GR-GRH 900
PTO ratio@1000 eng. rpm	1182 prm
Max torque	480 Nm
Mounting side	Right
Output	Rear
Rotation	Cw

Mounting kit

Part no.	021461002
----------	-----------



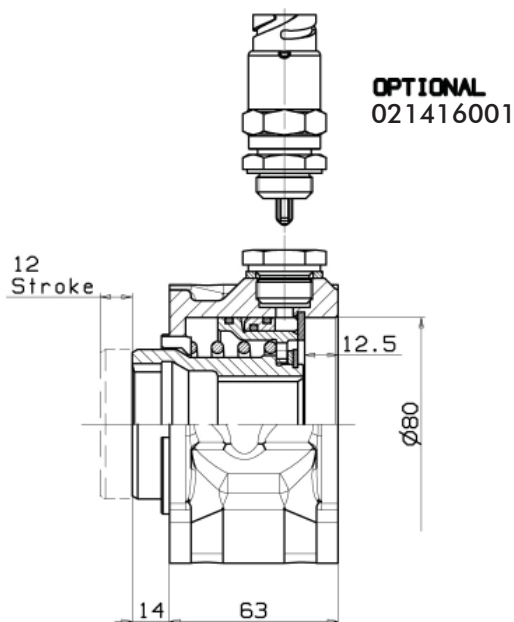
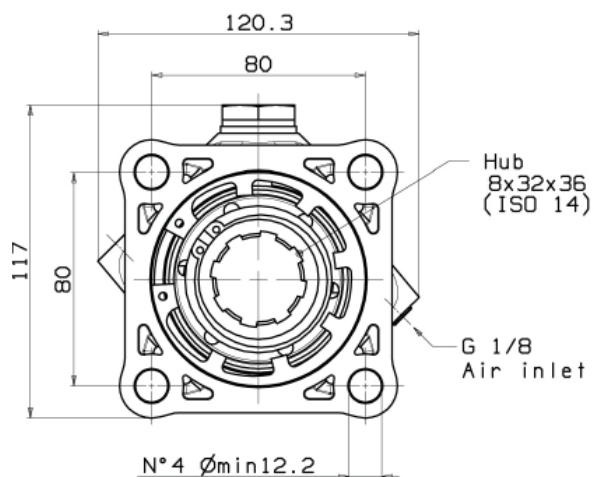
HYVA PTO'S



PNEUMATICALLY OPERATED POWER TAKE-OFF

Hyva	Partno. PTO:	021215010/021215011
Page 1 / 2	Type Gearbox:	VOLVO-EATON-SCANIA MERCEDES-ZF

021215010



Specifications

Type Gearbox	VOLVO - EATON - ZF MERCEDES - SCANIA
PTO ratio@1000 eng. rpm	SEE INDEX
Max torque	1000 Nm (1)
Mounting side	Rear
Output	Rear
Rotation	Cw

(1) The maximum allowed torque is referred to the PTO only. It is essential to watch the PTO/gearbox application book to get the maximum torque limit of every single transmission.

Mounting kit

Part no.	SEE INDEX
----------	-----------



HYVA PTO'S



PNEUMATICALLY OPERATED POWER TAKE-OFF

Hyva

Partno. PTO:

021215010/021215011

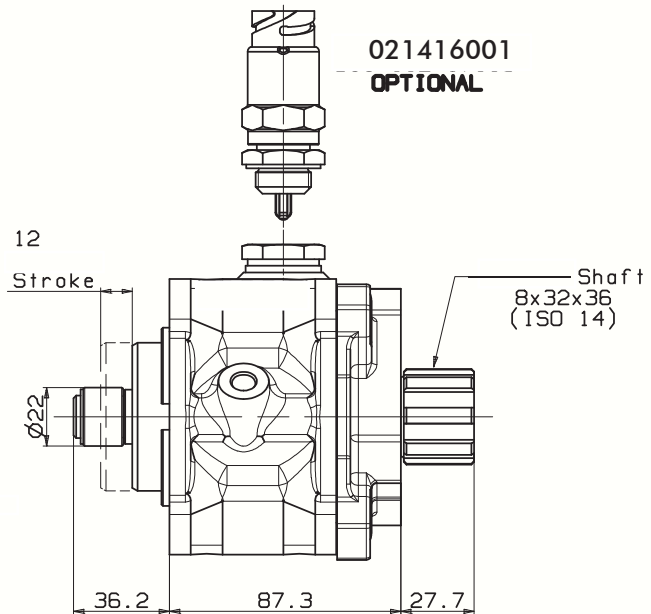
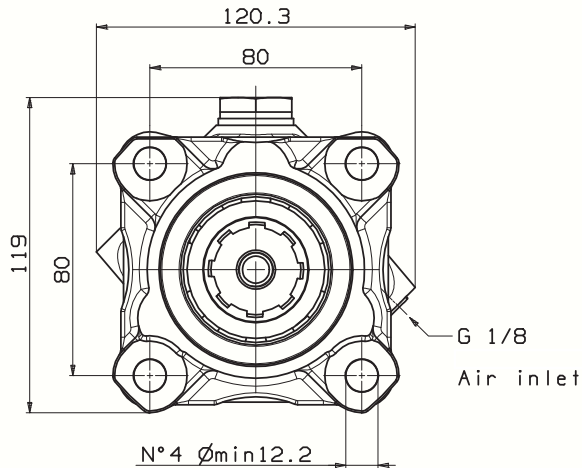
Type Gearbox:

VOLVO-EATON-SCANIA

Page 2 / 2

MERCEDES-ZF

021215011



Specifications

Type Gearbox	VOLVO - EATON - ZF MERCEDES - SCANIA
PTO ratio@1000 eng. rpm	SEE INDEX
Max torque	1000 Nm (1)
Mounting side	Rear
Output	Rear
Rotation	Cw

(1) The maximum allowed torque is referred to the PTO only. It is essential to watch the PTO/gearbox application book to get the maximum torque limit of every single transmission.

Mounting kit

Part no.	SEE INDEX
----------	-----------



HYVA PTO'S



PNEUMATICALLY OPERATED POWER TAKE-OFF

Hyva

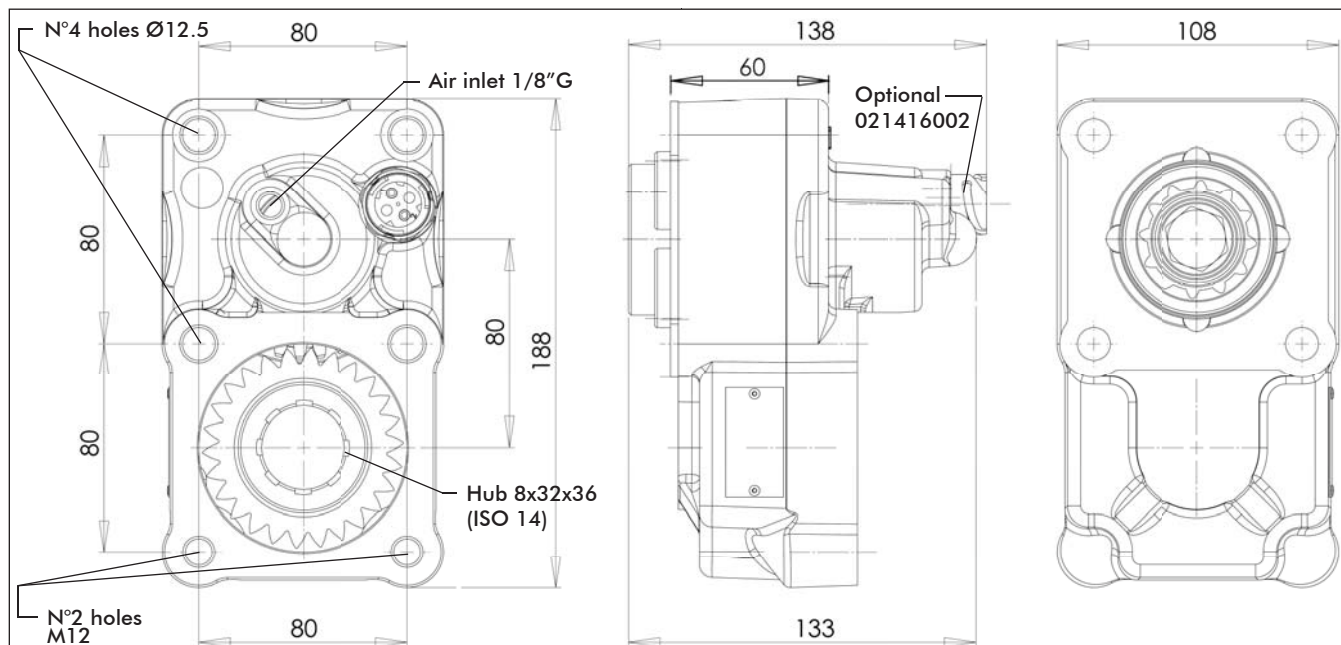
Partno. PTO:

021215040

Type Gearbox:

ZF

Page 1 / 1

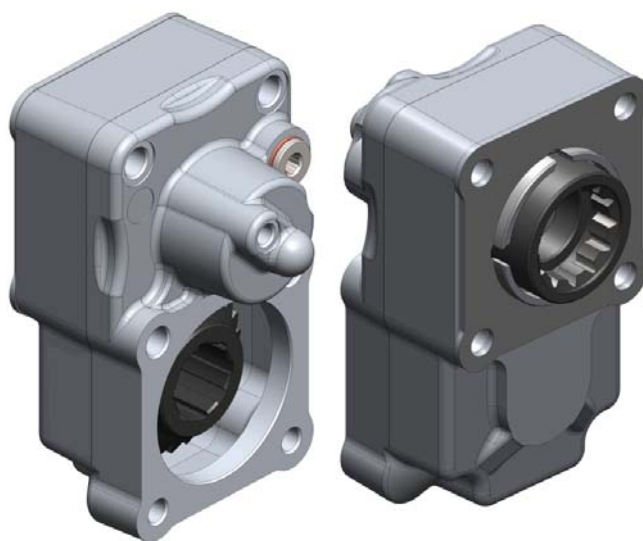


Specifications

Type Gearbox	SEE INDEX
PTO ratio@1000 eng. rpm	SEE INDEX
Internal ratio	1:1,35
Max torque	300 Nm
Mounting side	Rear
Output	Rear
Rotation	Acw

Mounting kit

Part no.	SEE INDEX
----------	-----------



HYVA PTO'S



PNEUMATICALLY OPERATED POWER TAKE-OFF

Hyva

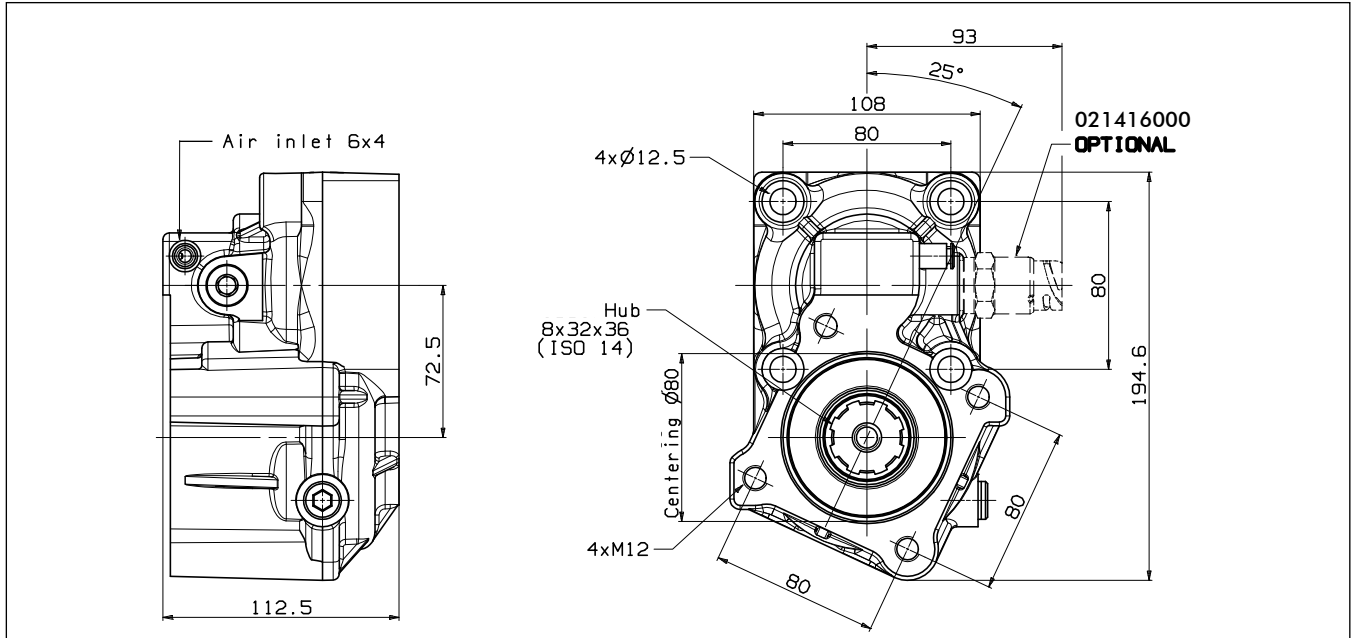
Partno. PTO:021220030/021215023/021215050/021215030

Type Gearbox:

ZF - IVECO-VOLVO-

Page 1 / 2

MERCEDES - EATON



Specifications

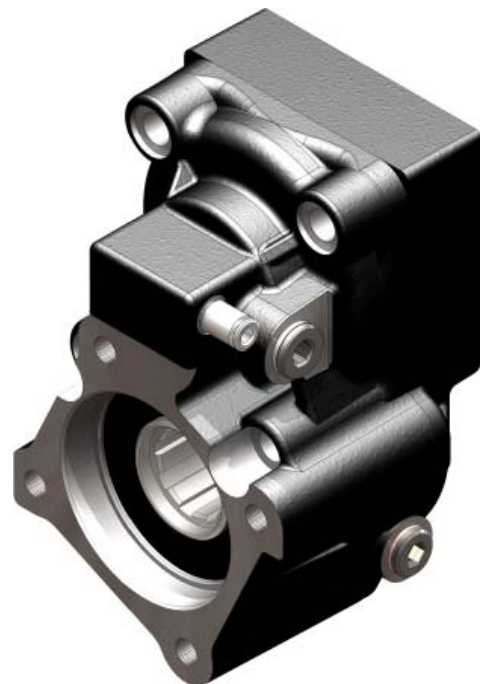
Type Gearbox	MERCEDES-IVECO-EATON-ZF-VOLVO			
	021220030	021215023	021215050	021215030
PTO ratio@ 1000 eng. rpm	SEE INDEX			
Internal ratio	1:1,8	1:1,53	1:1,33	1:1,1
Max torque	350 Nm	400 Nm	450 Nm	500 Nm
Mounting side	Rear			
Output	Rear			
Rotation	Acw			

Mounting kit

Part no.	SEE INDEX
----------	-----------

Attention

The prop shaft overall dimensions shown in the section "PROP SHAFT CLEARANCE" have been taken from the technical catalogues of the gearboxes' manufacturers, HYVA BV refuses all responsibility for any change of such dimensions as well as for any gearboxes damages due to higher torque absorption than allowed.



HYVA PTO'S



PNEUMATICALLY OPERATED POWER TAKE-OFF

Hyva

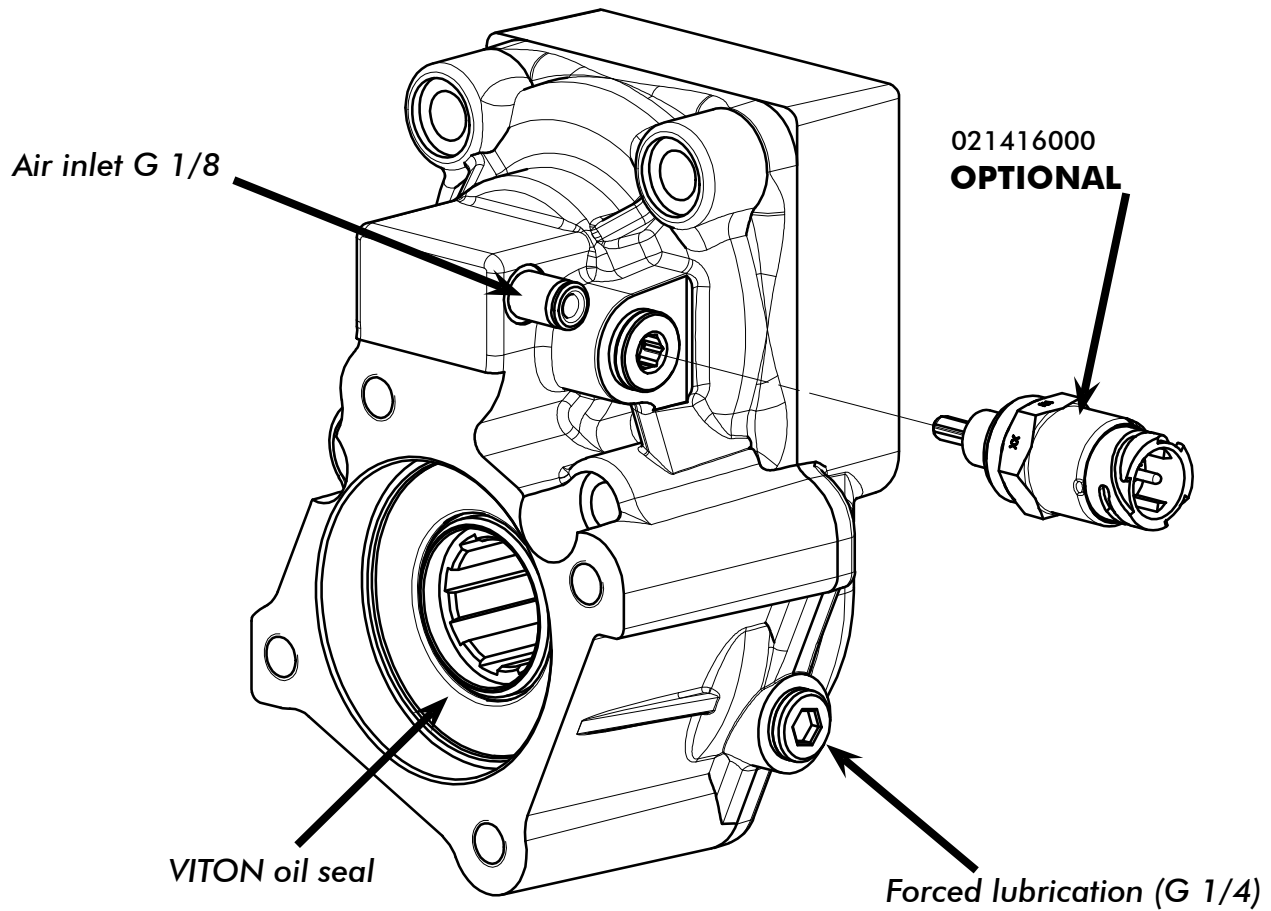
Partno. PTO:021 220030/021 21 5023/021 21 5050/021 21 5030

Page 2 / 2

Type Gearbox:

ZF - IVECO - VOLVO-
MERCEDES - EATON

Basic characteristics



HYVA QUILL SHAFT



QUILL SHAFT

Hyva

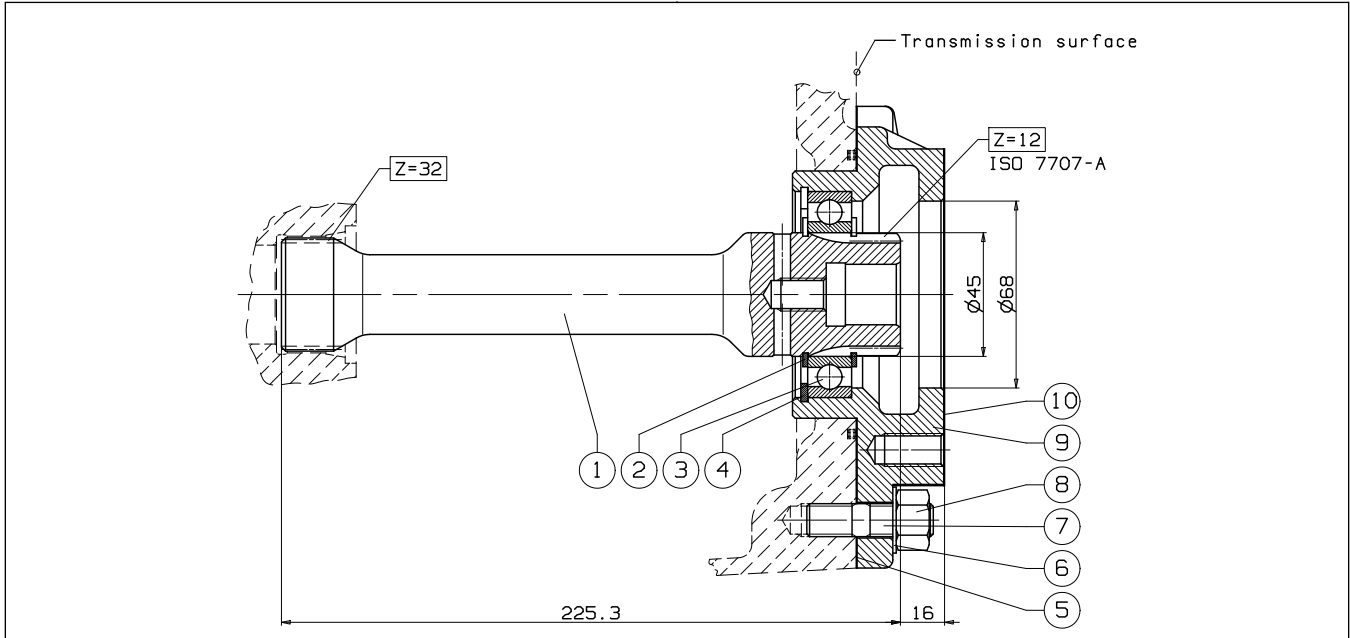
Partno.:

021313001

Gearbox:

VOLVO

Page 1 / 1



Parts list

No.	Partno.:	Description	Qty.
1		Quill shaft	1
2		Circlip E 45	2
3		Circlip 75 I	1
4		Ball bearing 45x75x16	1
5		Gasket	1
6		Washer	4
7		Nut M12 CH17 H12	4
8		Stud M12x27 UNI 5911	4
9		Shift-PTO coupling flange	1
10		Gasket	1

General informations

In the mounting phase of the flange onto the gearbox, check the integrity of the OR seal incorporated into the rear surface of the gearbox hatch. If it has deteriorated, replace it with the seal included in our shaft kit.

Type of Gearbox

VOLVO

AT 2412C...ATO 3112C WITH OR WITHOUT RETARDER



HYVA QUILL SHAFT



QUILL SHAFT

Hyva

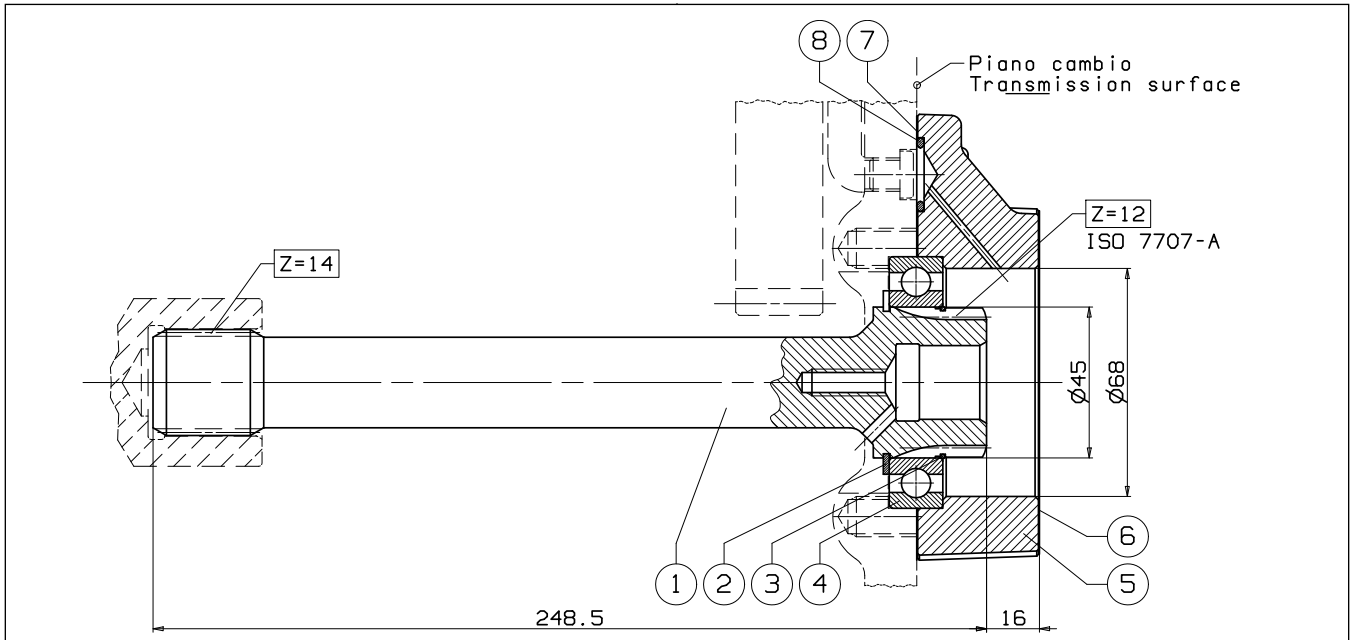
Partno.:

021314002

Gearbox:

ZF

Page 1 / 1



Parts list			
No.	Partno.:	Description	Qty.
1		Quill shaft	1
2		Circlip E 45	1
3		Bearing back-up ring	1
4		Ball bearing 45x75x16	1
5		Bearing-holding flange	1
6		Gasket	1
7		Gasket	1
8		O-ring 3068	1

General informations

N.B. The TCE Ø 10x1 plug can be removed from the transmission to guarantee adequate lubrication for the PTOs that are working in demanding conditions (high power and turns and/or prolonged working times). In the shaft kit assembly phase, confirm the correct position of the O-R pos.8 and gasket pos.7

Type of Gearbox	
ZF	ECOSPLIT 3 16S-151...16S-221 NEW ECOSPLIT 16S-1621...16S-2731+INTARDER



HYVA QUILL SHAFT



QUILL SHAFT

Hyva

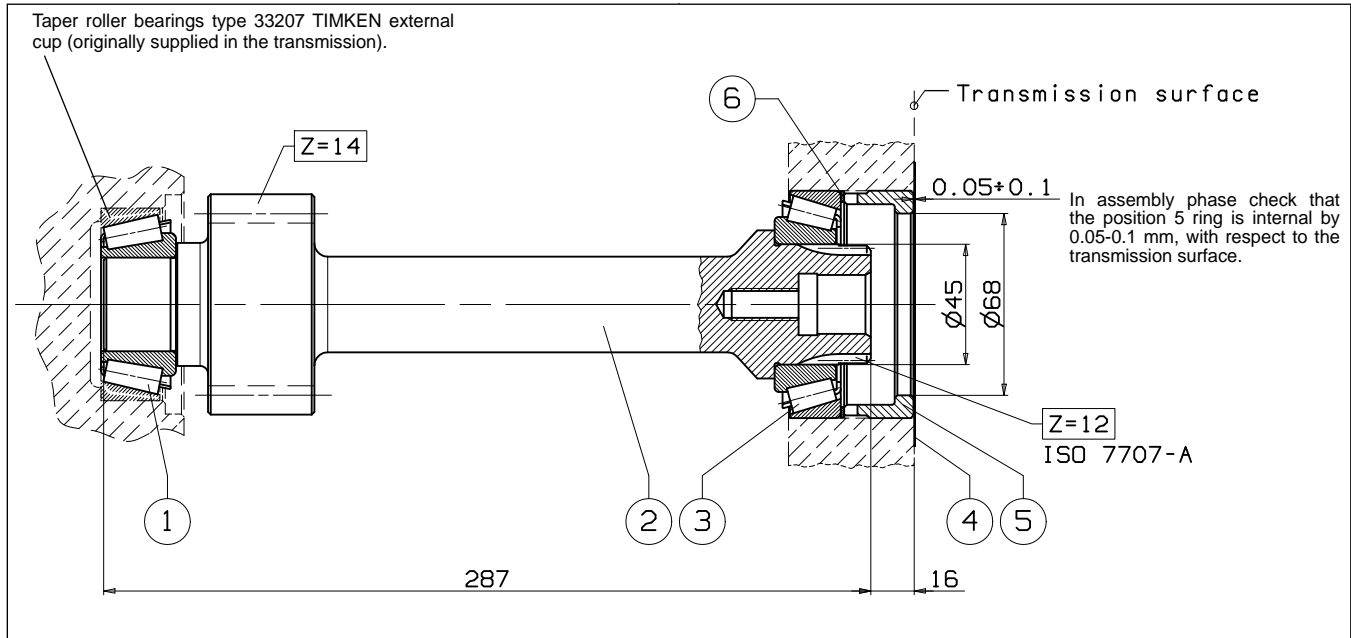
Partno.:

021314003

Gearbox:

ZF

Page 1 / 1



Parts list			
No.	Partno.:	Description	Qty.
1		Tapered roller bearing	1
2		Quill shaft	1
3		Tapered roller bearing eur. 32209	1
4		Gasket	1
5		PTO guiding ring	1
6		0.5 thickness ring bearing backlash register	1
		0.3 thickness ring bearing backlash register	2
		0.2 thickness ring bearing backlash register	2

General informations

In the SHAFT KIT assembly phase it is very important to guarantee correct axial play of the TAPER ROLLER BEARINGS. On completion of assembly, the AXIAL PLAY should be min. 0.05 max 0.1 mm.

For definition and recording of PLAY, proceed as follows:

- 1) Assemble the complete shaft kit in the transmission, slightly pushing the EXTERNAL BEARING CUP against the inside of the bearing, checking that the shaft DOES NOT have any more play, but can be manually turned.
- 2) Put some rings (pos.6) between the bearing and the PTO (pos.5) combining the various thicknesses until the PTO guide ring is INSIDE by 0.05-0.1 mm with respect to the trasmission plan (this will be the AXIAL play defined for the TAPER ROLLER BEARINGS).

Type of Gearbox	
ZF ECOMID	9S-109/12.91 - 9S-1110 TO/9.48 - 9S1310 TO/9.48 - 16S-109/13.31 - 16S-109/13.41

